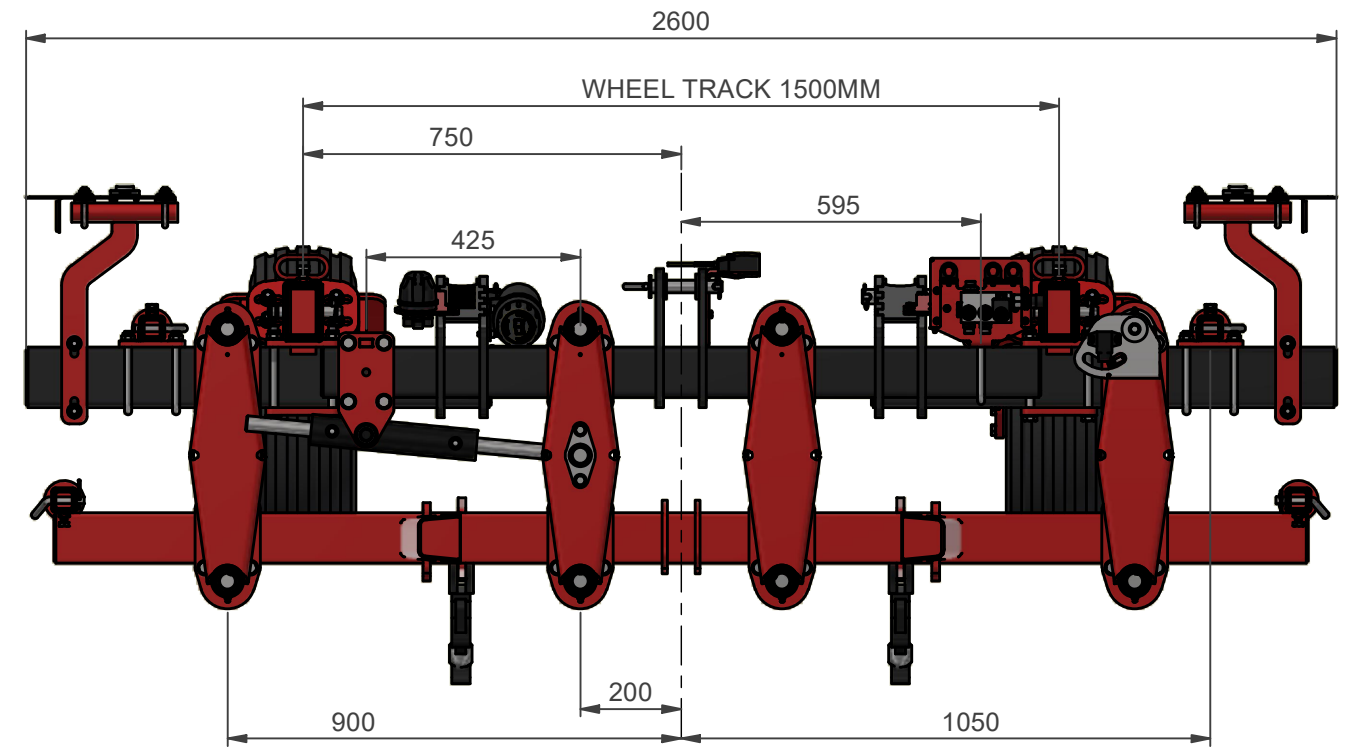
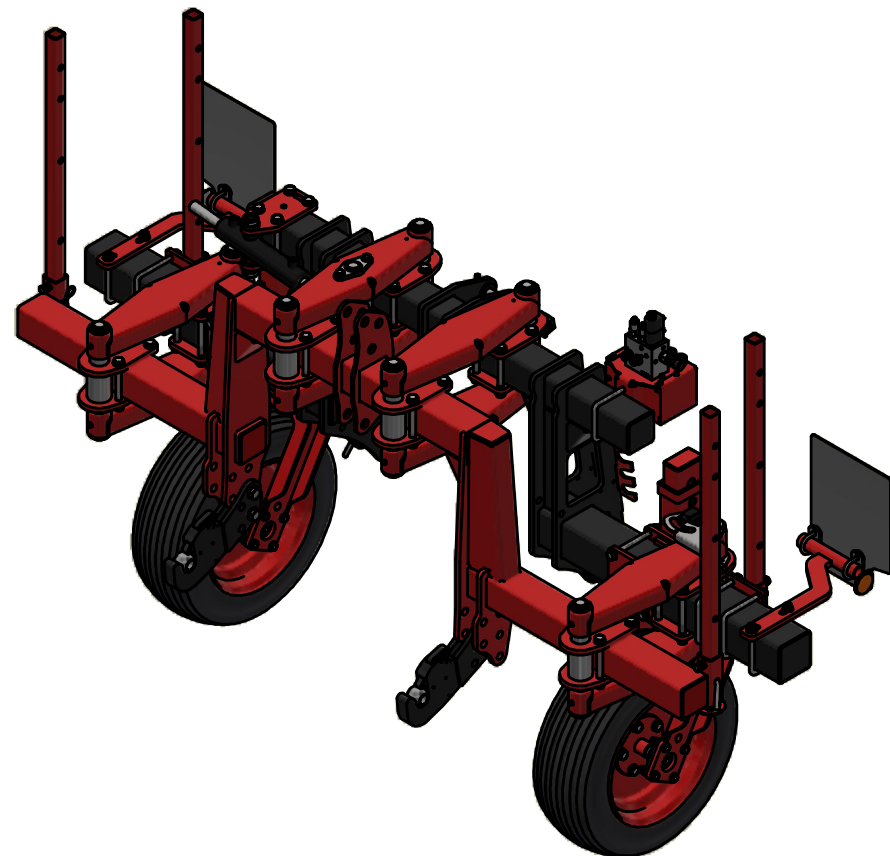
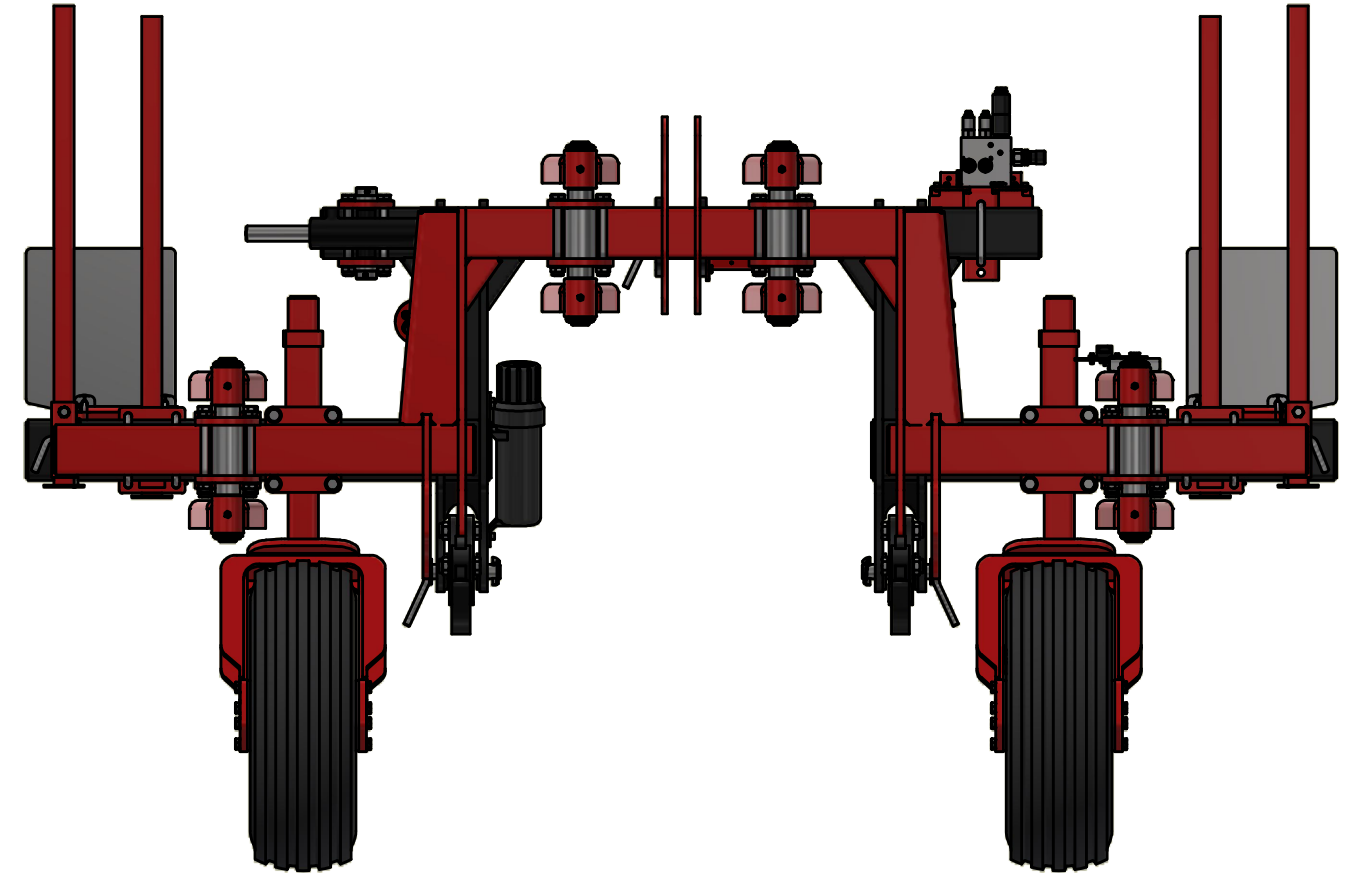
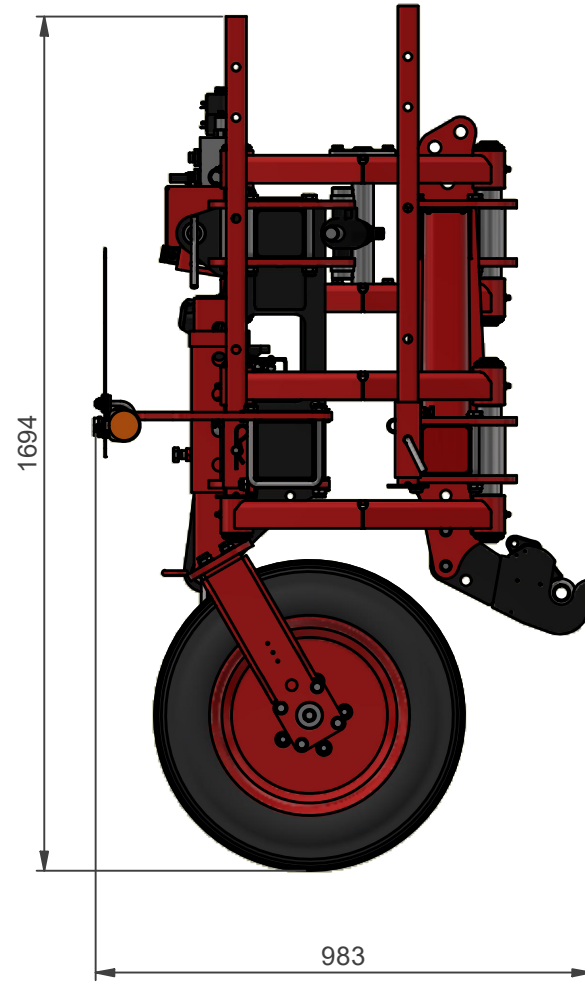


DELIVERED SEPARATELY



Description: EC-Steer with IC-Light		MASS: 650KG	
Project 211076 Lemken Schweiz E121 034017 / A121046388	Projection 	Drawing is property of Machinefabriek Steketee B.V. and may not be given to third parties for inspection without permission. Taking over or using this data is only allowed with permission from Machinefabriek Steketee B.V.	
Tel: +31 187 616100 Fax: +31 187 612580 Lieve Vrouwepoldersedijk 1a 3243 LA Stad aan 't Haringvliet www.steketee.com	Design by JU	Scale 1:15	
	Metrics mm	Design date 17-11-2021	Format A3