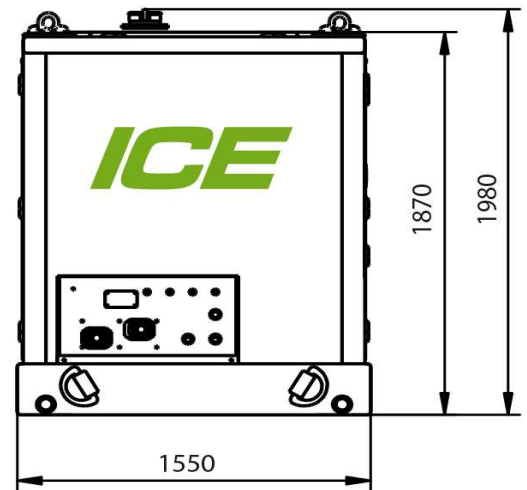
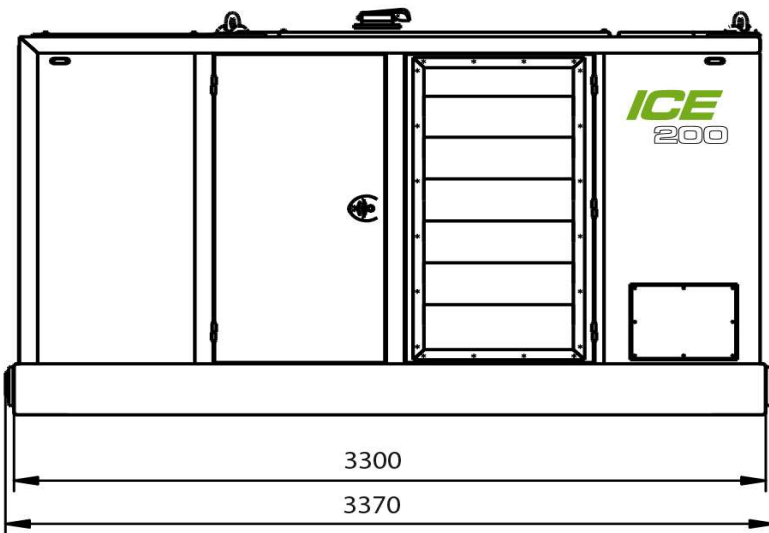
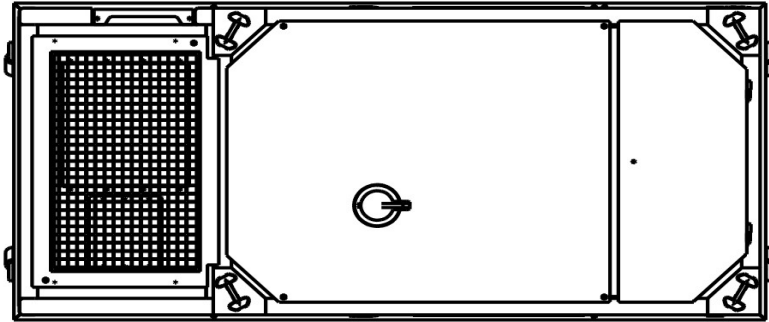


Specifications :

ICE 200 STAGE IV / TIER 4F

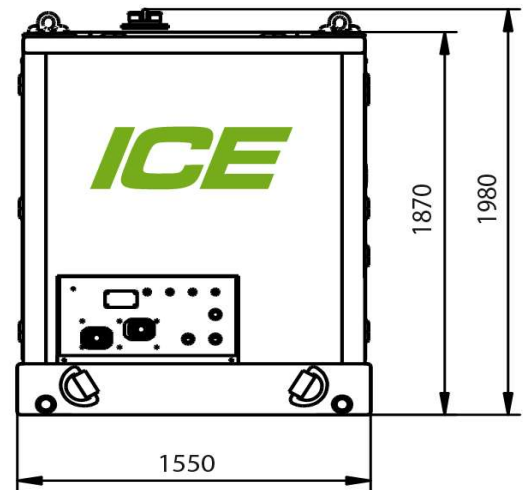
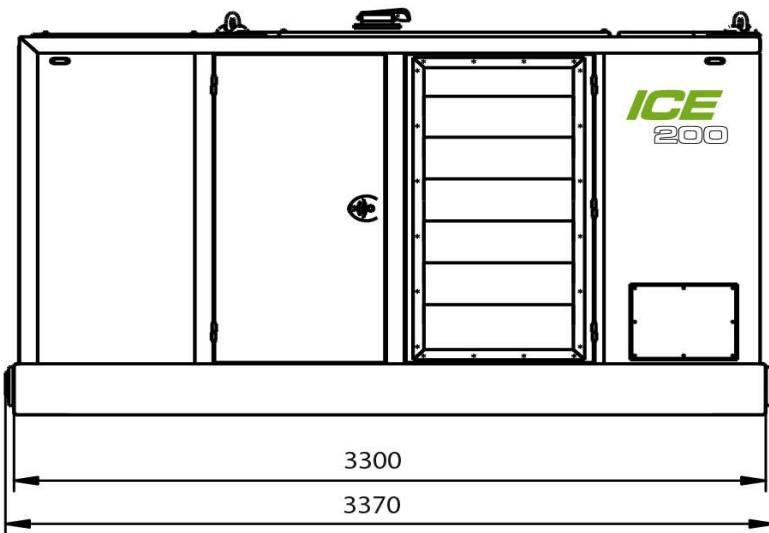
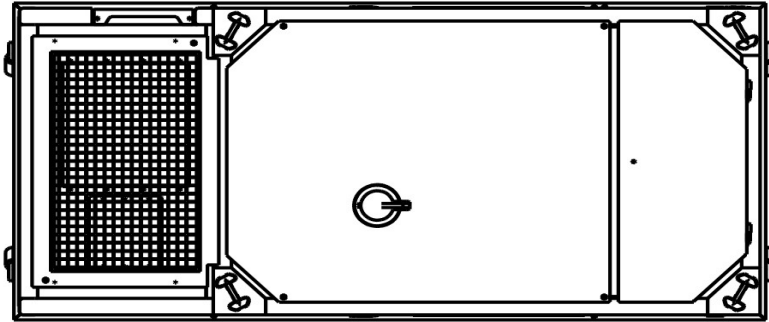
Diesel Engine	Volvo TAD 572 VE	
Max. theoretical power	160/218	kW/HP
Max. frequency	2300	rpm
Max. operating pressure	350	bar
Hydraulic pump	Parker	
Max. oil flow	322	L/min
Diesel oil	490	L
DEF (AdBlue) capacity	25	L
Hydraulic oil	540	L
Weight without fuel	3900	kg
Weight filled up	4350	kg



Technische Daten :

ICE 200 STAGE IV / TIER 4F

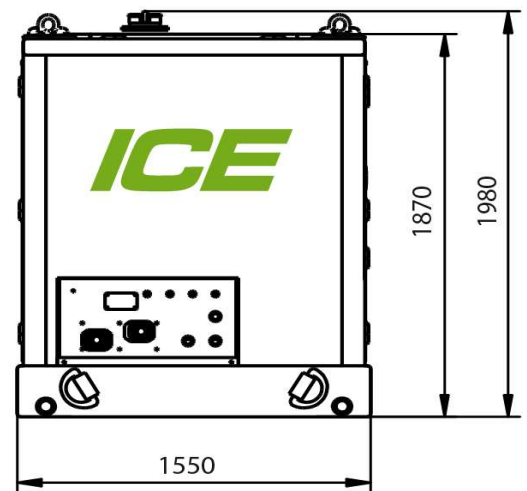
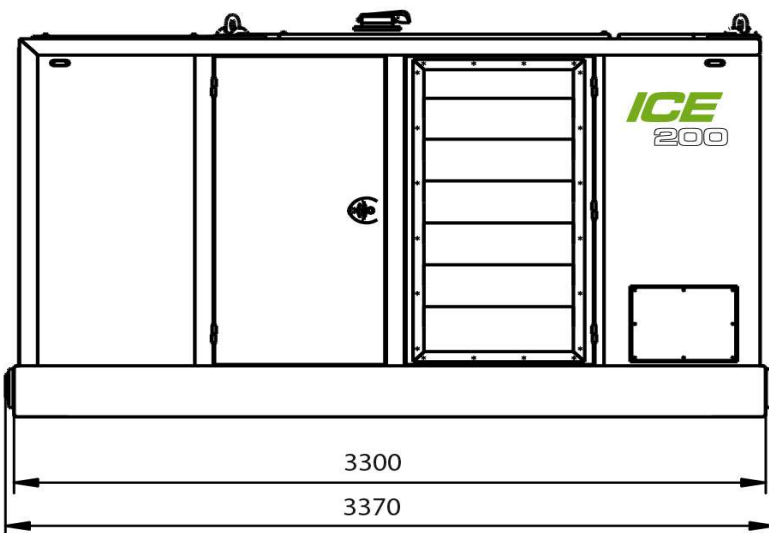
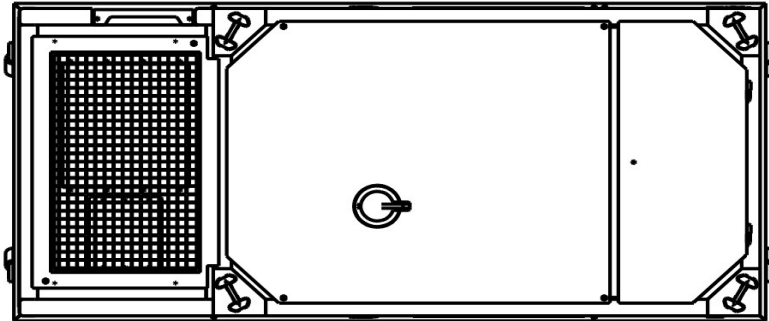
Dieselmotor	Volvo TAD 572 VE	
Max. theoretische Leistung	160/218	kW/HP
Max. Drehzahl	2300	rpm
Max. Betriebsdruck	350	bar
Hydraulische Pumpe	Parker	
Max. Fördermenge	322	L/min
Diesel Öl	490	L
DAF (AdBlue) Kapazität	25	L
Hydraulische Öl	540	L
Gewicht ohne Diesel Öl	3900	kg
Gewicht	4350	kg



Spécifications

ICE 200 STAGE IV / TIER 4F

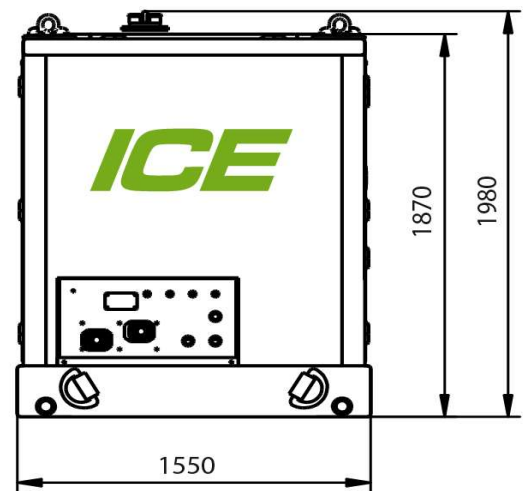
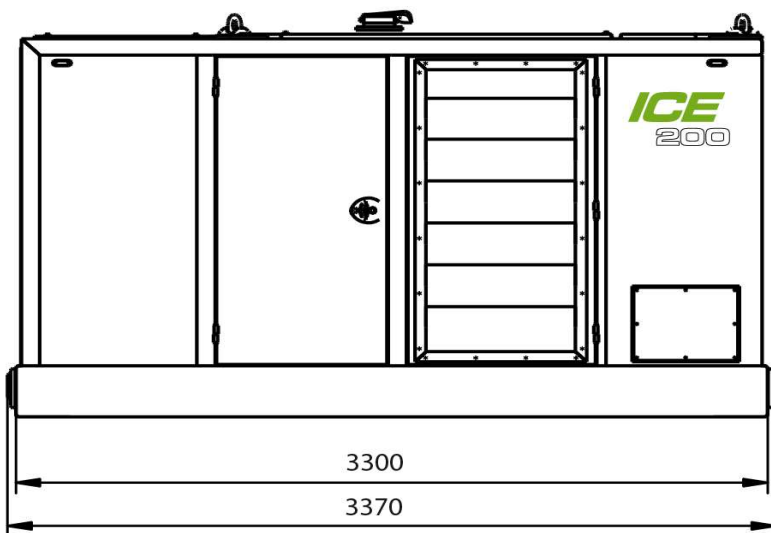
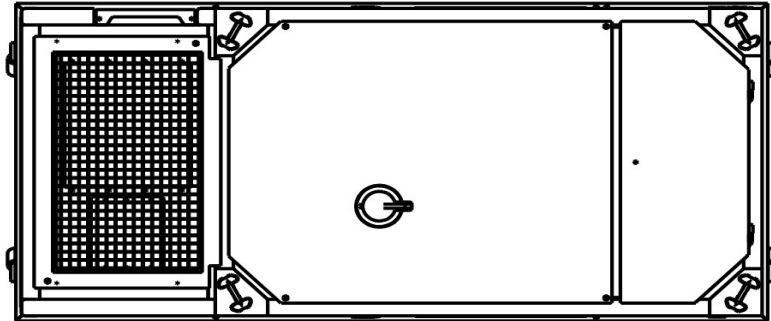
Moteur Diesel	Volvo TAD 572 VE	
Puissance théorique max.	160/218	kW/HP
Max. fréquence	2300	rpm
Pression de travail max.	350	bar
Pompe hydraulique	Parker	
Débit d'huile max.	322	L/min
Huile diesel	490	L
Capacité FED (AdBlue)	25	L
Huile hydraulique	540	L
Poids sans huile diesel	3900	kg
Poids	4350	kg



Specificaties

ICE 200 STAGE IV / TIER 4F

Dieselmotor	Volvo TAD 572 VE	
Max. theoretisch vermogen	160/218	kW/HP
Max. toerental	2300	rpm
Max. werkdruk	350	bar
Hydraulische pomp	Parker	
Max. olie doorstroming	322	L/min
Diesel olie	490	L
DEF (AdBlue) capaciteit	25	L
Hydraulische olie	540	L
Gewicht zonder diesel	3900	kg
Gewicht	4350	kg



Especificaciones

ICE 200 STAGE IV / TIER 4F

Motor de diesel	Volvo TAD 572 VE	
Potencia Máxima teórica	160/218	kW/HP
Frecuencia máxima	2300	rpm
Presión máxima de trabajo	350	bar
Bomba hidráulica	Parker	
Flujo de aceite máximo	322	L/min
Gasóleo	490	L
Capacidad DEF (AdBlue)	25	L
El aceite hidráulico	540	L
Peso sin gasóleo	3900	kg
Peso	4350	kg

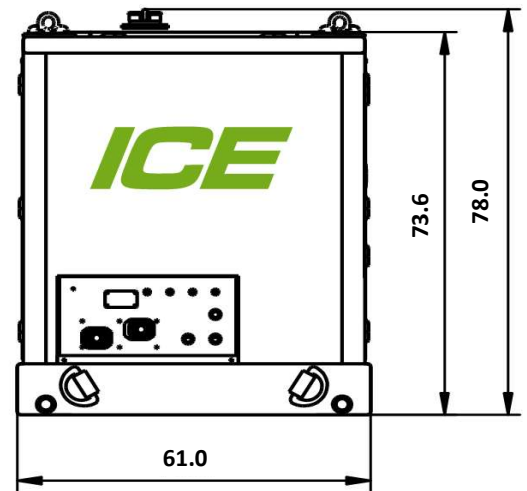
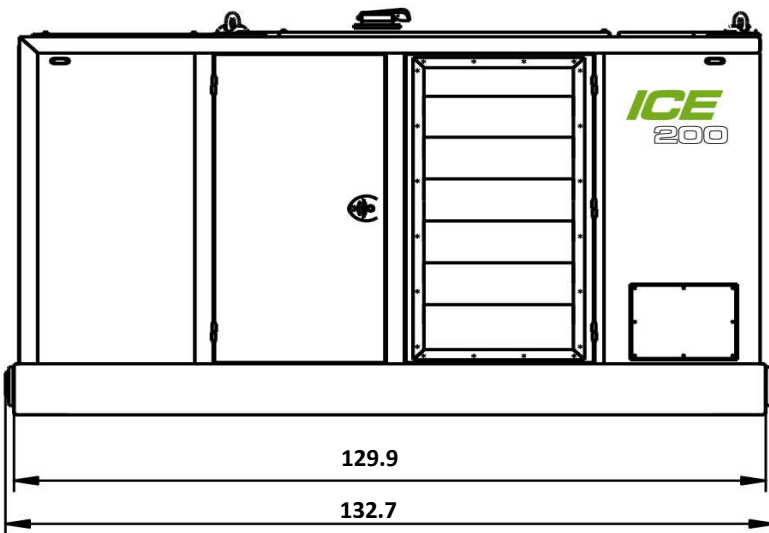
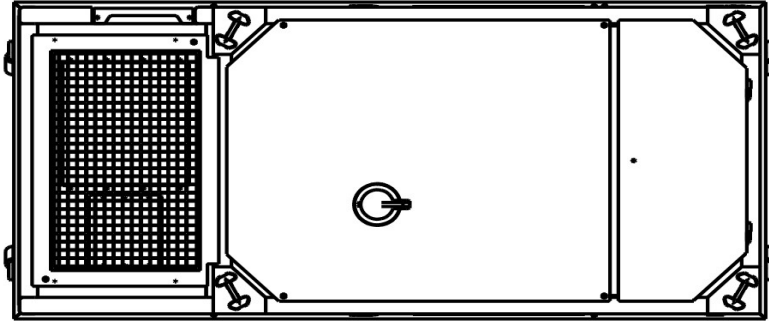
Specifications

ICE 200 STAGE IV / TIER 4F

Hydraulic Power Pack

USA

Dimensions in inches



Specifications

ICE 200 STAGE IV / TIER 4F

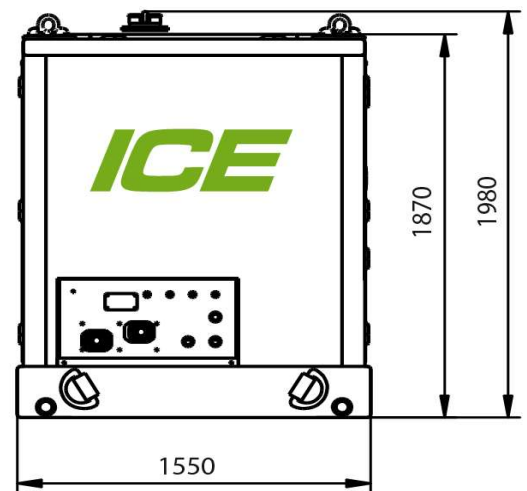
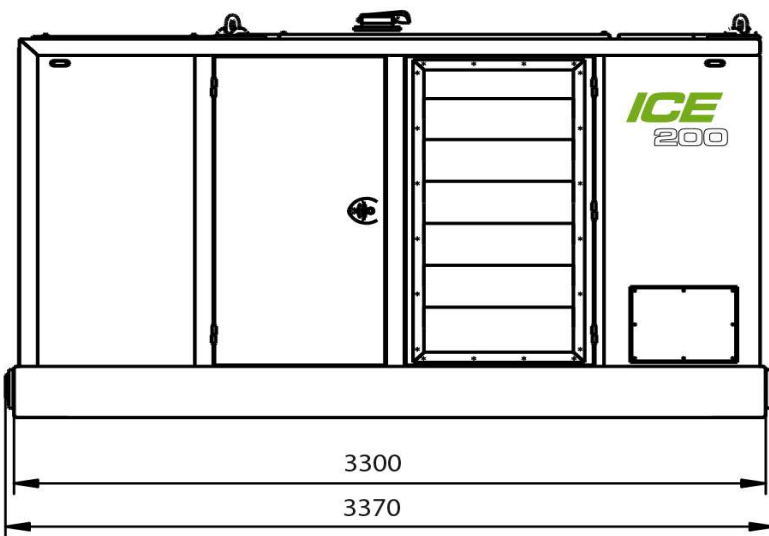
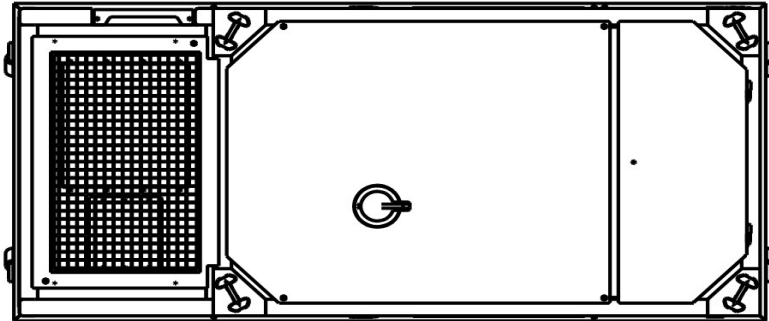
Diesel Engine	Volvo TAD 572 VE	
Max. theoretical power	160/218	kW/HP
Max. frequency	2,300	rpm
Max. operating pressure	5,076	psi
Hydraulic pump	Parker	
Max. oil flow	85	gal/min
Diesel Fuel	129	gal
DEF (AdBlue) capacity	7	gal
Hydraulic oil	143	gal
Weight without fuel	8,598	lbs
Weight with fuel	9,590	lbs

Specificatii

ICE 200 STAGE IV / TIER 4F

unitate de putere hidraulica

românesc



Specificatii :

ICE 200 STAGE IV / TIER 4F

Motor diesel	Volvo TAD 572 VE	
Puterea maxima teoretica	160/218	kW/HP
Frecventa maxima	2300	rpm
Presiune maxima de lucru	350	bar
Pompa hidraulica	Parker	
Debit maxim de ulei	322	L/min
motorină	490	L
Capacitate rezervor aditiv AdBlue	25	L
Ulei hidraulic	540	L
Greutatea fara combustibil	3900	kg
Greutatea cu combustibil	4350	kg