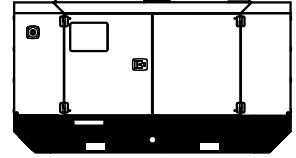
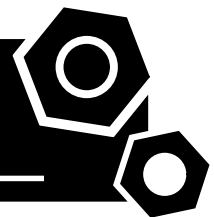


Potise



Generator set
Sound-proof type
D100DS

SPECIFICATIONS



1 Standards & Conditions

Design Standards

The designs and the productions are in conformity with:

- ISO8528
- GB/T2820
- YD/502-2007
- JB/T20136-2006

Environmental Operating Conditions

- Installation place: Outdoors or indoors (well ventilated).
- Ambient temperature: -25°C to 45°C. The coolant heater is needed when the temperature is below 5°C
- Humidity: Less than 80%.
- Altitude: Below one thousand (1000) meters above sea Level.

Factory Inspection

- Inspection items.
- Protection devices working test.
- Starting ability in normal temperature.
- 50% rated power load moment capability.
- Voltage deviation and speed variation: 0%, 25%, 50%, 75%, 100%, 110% Load.

Painting Process

- Painting process specifications and colors are based on the manufacturer's standard.
- The customer could also choose the color which the manufacturer offers.

2 General Features

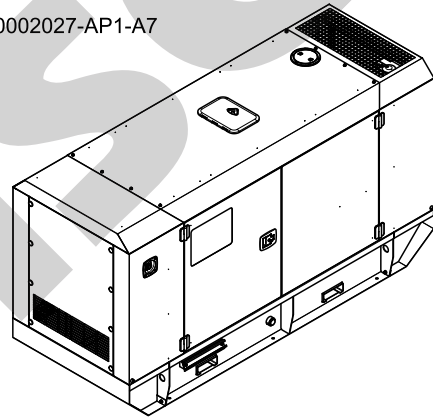
- Deutz engine BF4M1013EC G2
- Close coupled to a Mecc alternator ECP34-2S/4
- Microprocessor control module PLC-AMF20
- SCHNEIDER main circuit breaker: 160A
- Rotate speed governor: Mechanical governor
- Excitation system: Self excited,SHUNT
- A.V.R model: SR7/2
- Key switch
- Emergency stop switch

- ATS (automatic transfer switch) receptacle
- 1x12V/72AH sealed for life maintenance free battery
- Lockable battery isolator switch
- Powder coated canopy
- 45°C radiator
- Steel base frame with forklots
- Vibration isolators between the engine/alternator and base frame
- Dry type air filter
- Base fuel tank for 10 hours running
- Drain points for fuel tank
- Operation Manual / Specifications

3 Equipment Specification

General technical data

20002027-AP1-A7

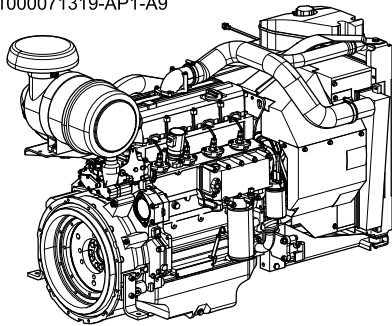


Model.....	D100DS
Tank capacity.....	275L
Dry weight.....	1587kg
Noise level @7m	N/A
Dimensions L×W×H.....	2523x1140x1579mm
Standby Power	110kVA/88kW
Prime Power	100kVA/80kW

Voltage	380V	400V	415V		
Ampere	151.9A	144.3A	139A		
Genset Fuel Consumption					
Frequency/Load	25%	50%	75%	100%	110%
50Hz (L/h)	7.2	13.1	19.3	25.8	N/A

Diesel Engine

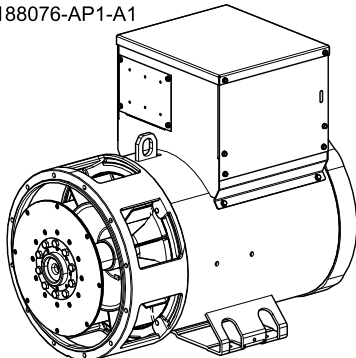
1000071319-AP1-A9



Engine Manufacturer/Brand.....	Deutz
Engine Model.....	BF4M1013EC G2
Dimensions L×W×H.....	1548x733x1151mm
Dry Weigh (approx.)	560kg
Number of Cylinders.....	4
Bore.....	108mm
Stroke.....	130mm
Displacement.....	4.76L
Compression Ratio.....	19
Type of injection.....	Single injection pumps
Intake System.....	Turbocharged
Intake Resistance.....	≤2.5kPa
Cooling System.....	Water cooled
Fan.....	Pusher
Battery Voltage.....	12V
Type of Fuel.....	Diesel
Type of Oil.....	TR0199-99-3002/6
Oil Capacity.....	11L
Type of Coolant.....	Glycol mixture
Coolant Capacity.....	19.7
Back Pressure.....	≤3kPa
Standby Power.....	102KW
Prime Power.....	97KW
Fuel Consumption(100%load).....	25.8L/h

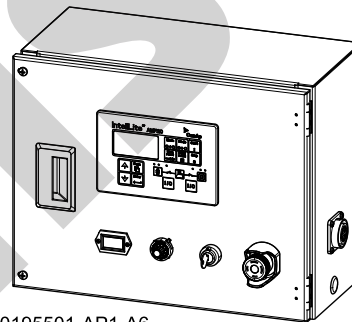
Alternator

1000188076-AP1-A1



Alternator Manufacturer/Brand.....	Mecc alte
Alternator Model.....	ECP34-2S/4
Exciter.....	Brushless
Cooling Fan.....	Cast alloy aluminum
Windings.....	100% copper
Insulation Class.....	H
Winding Pitch.....	2/3
Terminals.....	12
Drip Proof.....	IP21
Altitude.....	≤1000m
Overspeed.....	2250rpm
Air Flow.....	19.3m³/min(50Hz),23m³/min(60Hz)
Voltage Regulation.....	±1.0%
Total harmonic TGH / THCat no load < 1.5 % - on load < 5%	
Telephone Interference.....	THF<2%;TIF<40

PLC-AMF20 Control System



1000195501-AP1-A6

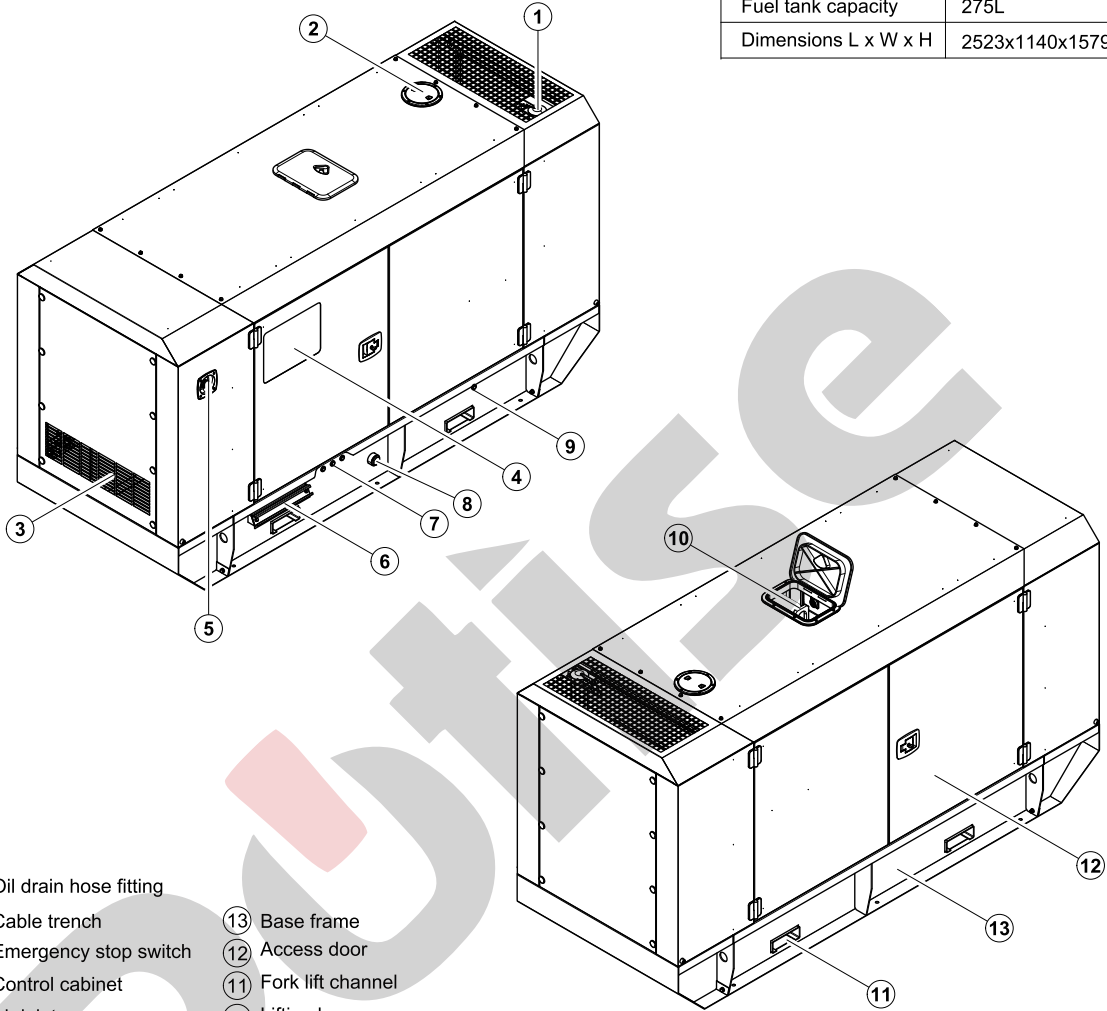
PLC-AMF20 is an advanced control module based on micro-processor, containing all necessary functions for protection of the genset and the breaker control. It can monitor the mains supply, and automatically start the engine when the mains is abnormal. Accurately measure various operational parameters and display all values and alarms information on the LCD. In addition, the control module can automatically shut down the engine and indicate the engine failure.

- Microprocessor control, with high stability and credibility
- Monitoring and measuring operational parameters of the mains supply and genset
- Indicating operation status, fault conditions, all parameters and alarms
- Multiple protections; multiple parameters display, like pressure, temp. etc.
- Manual, automatic and remote work mode selectable
- Real time clock for time and date display, overall runtime display, 200 log entries
- Overall power output display
- Integral speed/frequency detecting, telling status of start, rated operation, overspeed etc.
- Communication with PC via RS485 OR RS232 interface, using MODBUS protocol

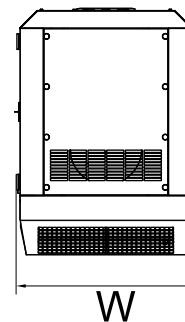
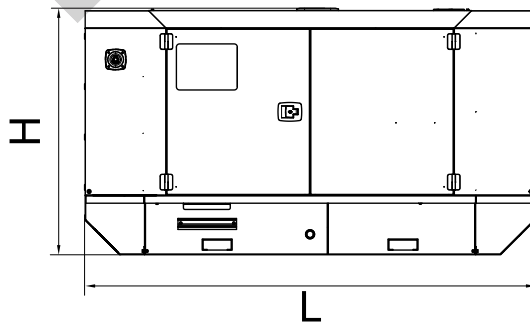
4 Overall Dimensions

20002027-DR1-A3

Dry weight	1587kg
Fuel tank capacity	275L
Dimensions L x W x H	2523x1140x1579mm

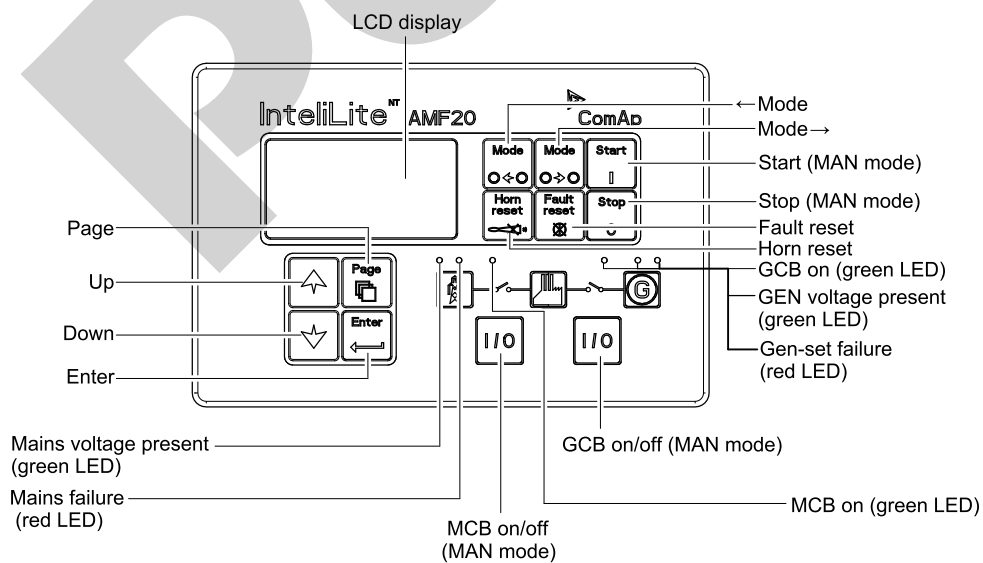
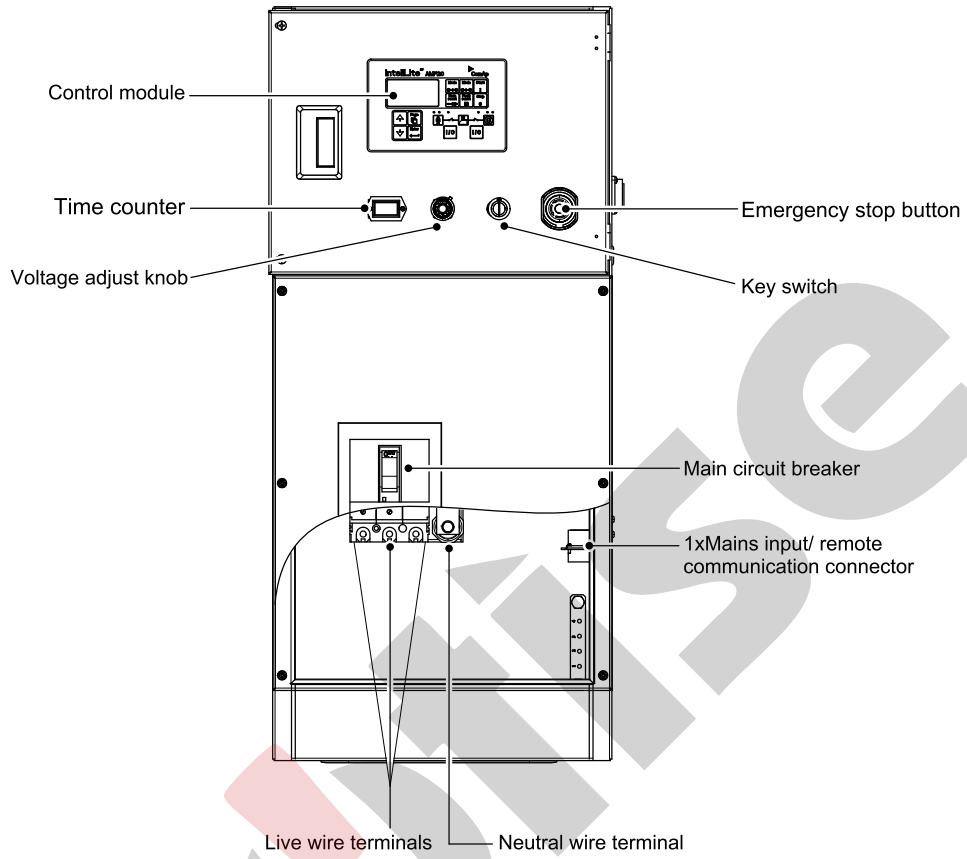


- ⑦ Oil drain hose fitting
- ⑥ Cable trench
- ⑤ Emergency stop switch
- ④ Control cabinet
- ③ Air inlet
- ② Coolant inlet
- ① Exhaust gas outlet
- ⑬ Base frame
- ⑫ Access door
- ⑪ Fork lift channel
- ⑩ Lifting lug
- ⑨ Coolant drain hose fitting
- ⑧ Fuel drain hose fitting



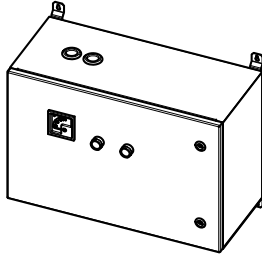
5 Control System

1000195501-IT2-A6



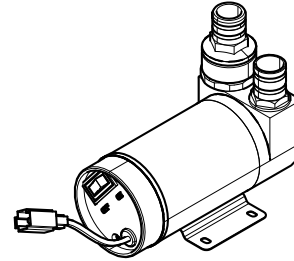
6 Optional Accessories

1. ATS Cabinet



- Adopt advanced ATS with high quality
- High reliability, high stability, ease of operation

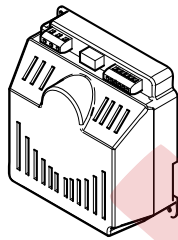
2. Automatic Oil Drain Pump



- Drain the oil from engine automatically
- Easy to operate with inching switch

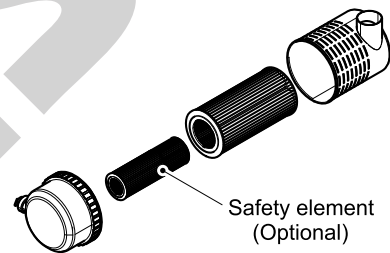
20004002-OA1

3. Battery Charger



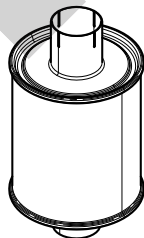
- Switch power supply structure, wide input alternating voltage range, small size, light weight, high efficiency rate
- Short-circuit protection

4. Double Layer Air Filter



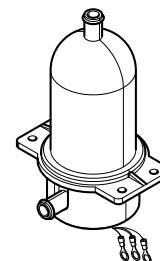
- Air filter with safety element
- High filtration precision and filtering ability

5. Spark Arrestor



- Any explosive exhaust particles can be captured in dangerous environment.

6. Water Jacket Preheat Unit



- Water jacket preheat unit should be used to start the engine quickly if the temperature is lower than 5°C
- The preheat unit is equipped with a thermostat

20002027-A3-E
03.2013

POTISE

<http://www.potise.com>

*Specification may change without prior notice. For more info.,
contact our company or your local distributors please.*

©2013 POTISE