

Shelbourne
REYNOLDS



Vögel + Berger AG

Schlosslistrasse 4, 8442 Hettlingen
052 316 14 21 www.voegeli-berger.ch



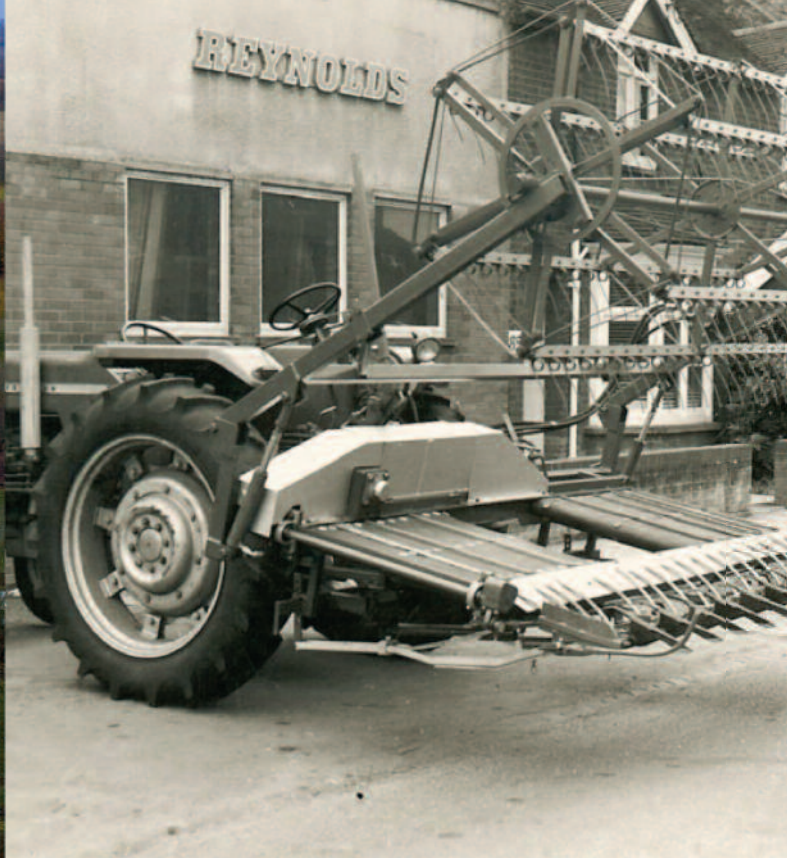
MANURE
SPREADERS

POWER SPREAD



Shelbourne CONTENTS

INDEX	PAGE
ABOUT SHELBOURNE REYNOLDS.....	3
HISTORY.....	4
POWERSPREAD RANGE.....	5
POWERSPREAD DAIRY.....	6-11
POWERSPREAD PRO 1800-3200.....	12-19



OVER FOUR DECADES OF FARM MACHINERY

FOUNDED IN 1972, SHELBOURNE REYNOLDS HAS BEEN A FIXTURE IN AGRICULTURAL EQUIPMENT MANUFACTURING EVER SINCE.

Today, we are located on the same site in Stanton, near Bury St Edmunds, Suffolk, where we were established – but our business continues to grow. Our factory now covers over 12,000 sq m of the two hectare premises on which we are based, and employs 150 people.

Here, we use the latest design software to create the machines our markets demand, and utilise some of the most sophisticated manufacturing equipment available to produce not only Powerspread manure spreaders, but also Shelbourne hedge trimmers, Powermix diet feeders, combine headers and trailers and a host of harvesting, livestock and ground-care machinery.

The latest design software is used to create the machines our markets demand, some of the most sophisticated manufacturing equipment is then used to produce not only Powerspread manure spreaders but also Shelbourne hedge trimmers, Powermix diet feeders, combine headers and trailers and other harvesting, livestock and ground-care machinery.

With Shelbourne Reynolds equipment, there's no question of compromising machine performance or longevity by using lower spec cheaper components. That means our dealers and customers benefit from knowing that we put our name to every component on our equipment.



A PROVEN HISTORY IN SPREADING

SINCE 1994, WHEN SHELBOURNE REYNOLDS ENTERED THE SIDE DISCHARGE SPREADER MARKET WITH THE PURCHASE OF THE POWERSPREAD RANGE FROM ECON, MANURE SPREADERS HAVE BECOME A CORE PART OF OUR LIVESTOCK RANGE.

Shelbourne engineers have since refined the product and in the process improved its performance in both solid and liquid material, as well as its durability, serviceability and longevity.

The key advantages of the Powerspread range - right centre discharge, an overshot rotor and vertical opening door - have remained throughout.

Machine capacity has grown from 5,910 litres to 14,500 litres. Innovations such as a hydraulic drop-down rotor, anti-bridging arms and reverse drive, plus two ranges featuring nine models, make Shelbourne the leader in side discharge technology.





POWERSPREAD DAIRY

The Dairy range is packed with useful features put together in a simple, reliable package. Available in 1600 and 2000 gallon sizes it is designed for the farmer and capable of excellent performance and long term reliability.



POWERSPREAD PRO

The Powerspread Pro range has been engineered using all of Shelbourne's experience with side discharge spreaders. Aimed at the contractor market, it is capable of delivering rugged high capacity performance with both solid and liquid manure. It is available in two single axle SWB models with 1800 and 2300 gallon capacity and four single or tandem axle LWB models with 2400 and 3200 gallon capacity.



POWERSPREAD DAIRY

DESIGNED SPECIFICALLY TO MEET THE NEEDS OF MILK PRODUCERS, THE POWERSPREAD DAIRY MANURE SPREADER IS AVAILABLE IN TWO MODELS, THE POWERSPREAD DAIRY 1600 & POWERSPREAD DAIRY 2000.

Its simple, strong design is suited to spreading a wide range of solid and liquid farmyard manure and waste. The Powerspread principle uses a full length auger which rotates at 13rpm and delivers the material from both the front and rear of the tub to a centrally positioned discharge rotor.

The discharge rotor is mounted on the right side for ease of operation and rotates in an overshot direction at 700 rpm.

The rotor takes the material from the auger and uses the underside of the door as a shear bar. This firstly fragments the material before spreading in an even arc to the side of the machine.

MODEL	CAPACITY	m ³	TYRE SIZE
DAIRY 1600	1600 GALLONS	7.25m ³	23.1 - 26
DAIRY 2000	2000 GALLONS	9.00m ³	23.1 - 26

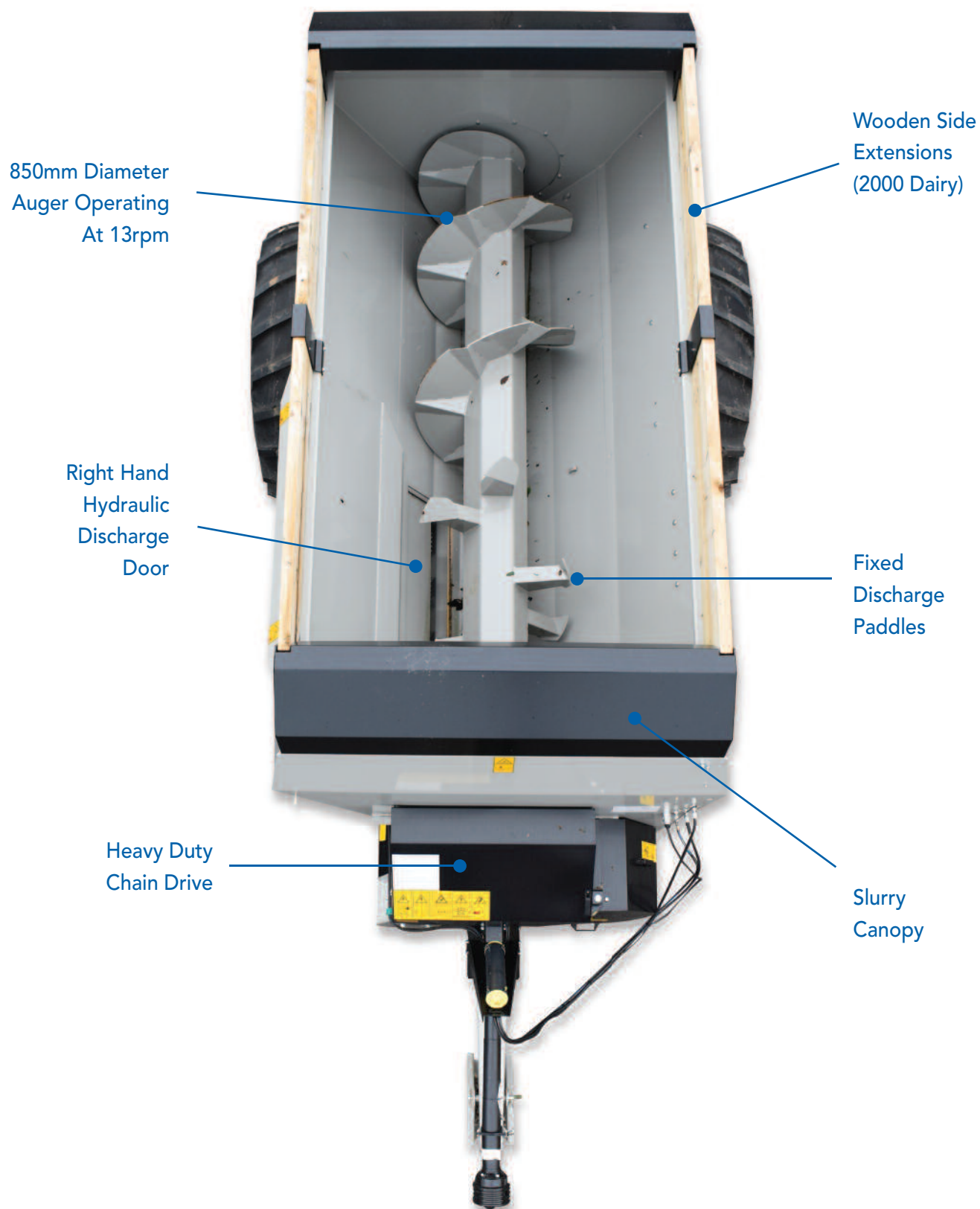
KEY FEATURES

- Low horsepower requirement
- Even and accurate spread pattern up to 18 metres
- Suitable for slurry and farmyard manure
- Fast, efficient work rates achieved with central door and overshot rotor
- Vertically opening sealed door allows the full width of the rotor to be utilised
- Even weight distribution
- Solid axle
- Easy maintenance
- Separate shearbolt protection for the main auger and rotor PTO
- LED lighting & hydraulic brakes



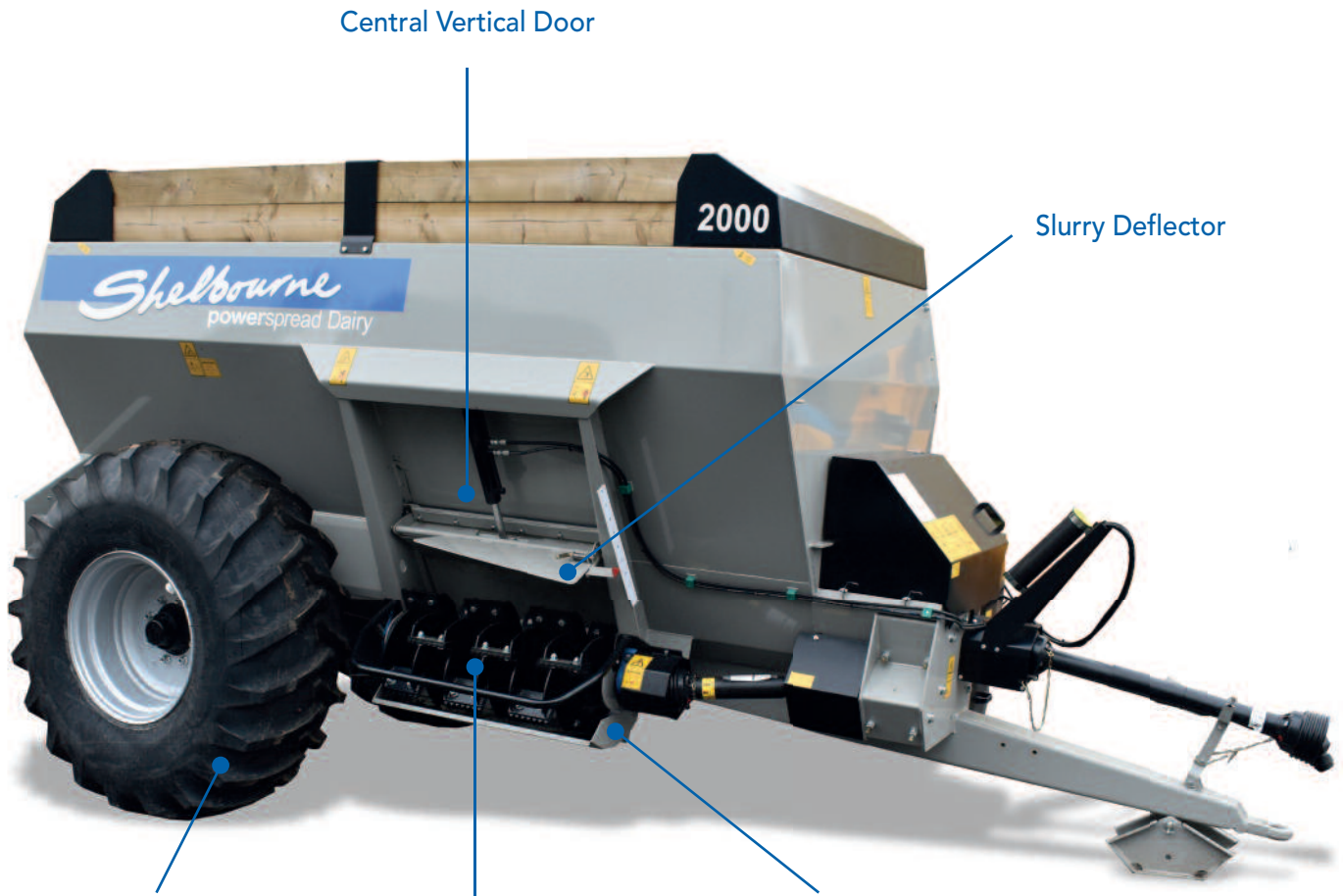
POWERSPREAD DAIRY

Manure Spreader



POWERSPREAD DAIRY

Manure Spreader



Central Vertical Door

Slurry Deflector

23.1-26 Tyres

Overshot Discharge Rotor
Operating At 700rpm

Slurry Drip Tray



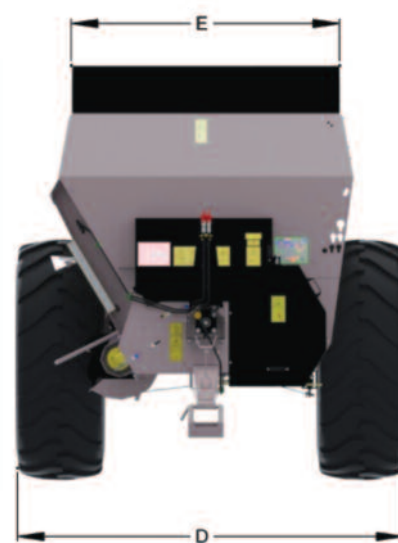
955mm Wide Overshot Discharge Rotor With Bolt-On Hardox Wear Plates And Sealed Door



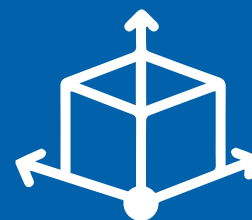
Simple Two Stage Reduction #100 Chain Drive System With 16mm Shear Bolt Protection And Easy Access Grease Points

POWERSPREAD DAIRY

Manure Spreader



DIMENSIONS



STANDARD FEATURES	1600	2000
CAPACITY / LEVEL	7250 1600 gal	9000 2000 gal
VOLUME / LEVEL	7.25m ³	9m ³
TYRE SIZE	23.1-26	23.1-26
PTO SPEED	540 rpm	540 rpm
RECOMMENDED TRACTOR SIZE	70-90 hp	90 hp (UPWARDS)
UNLADEN WEIGHT	2900 kg	3000 kg
GROSS WEIGHT	9600 kg	9700 kg
UNLADEN DRAWBAR WEIGHT	684 kg	703 kg
MAX AXLE WEIGHT	7636 kg	7717 kg
MAX DRAWBAR WEIGHT	1964 kg	1983 kg
SPREAD WIDTH	UP TO 18 m	UP TO 18 m
DOOR SIZE (WIDTH)	955 mm	955 mm
DOOR OPERATION	DOUBLE ACTING HYDRAULIC RAM	
MAX ROAD SPEED	20 mph	20 mph
OPTIONS		
MANUAL ANTI-BRIDGE KIT	OPT	OPT
AUTOMATIC ANTI-BRIDGE KIT	OPT	OPT
WIDE ANGLE PTO	OPT	OPT
STRAW PLATES	OPT	OPT
MECHANICAL PARKING JACK	OPT	OPT

NOTE: ALL WEIGHTS & OTHER DATA ARE APPROXIMATE

THE ABOVE STATED WEIGHTS AND A 20MPH (32KM/H) SPEED LIMIT MUST NOT BE EXCEEDED IF THE MACHINE IS TO BE TAKEN ON PUBLIC ROADS

	1600	2000
OVERALL LENGTH (A)	5380 mm	5380 mm
WIDTH OVER TYRES (D)	2600 mm	2600 mm
LOADING HEIGHT	2427 mm	2740 mm
OPENING LENGTH (C)	2835 mm	2678 mm
WIDTH AT TOP OF TUB (E)	1694 mm	1747 mm
OVERALL HEIGHT (B)	2594 mm	2740 mm



POWERSPREAD PRO 1800-3200

THE POWERSPREAD PRO RANGE IS THE CULMINATION OF OVER 15 YEARS OF PRODUCT DEVELOPMENT.

It includes all of the traditional key features of Powerspread models, such as the overshot rotor, right side central discharge and reverse drive facility. These remain at the heart of the Powerspread Pro design, but these machines gain the added benefits of larger capacities, stronger build, simplified drive system and larger discharge rotor for increased discharge rates.

MODEL	CAPACITY	SPEC	TYRE SIZE
PRO 1800 SWB	1800 GALLONS	SHORT WHEEL BASE	620/75R26
PRO 2300 SWB	2300 GALLONS	SHORT WHEEL BASE	620/75R26
PRO 2400 LWB	2400 GALLONS	LONG WHEEL BASE SINGLE AXLE	650/65R30.5
PRO 3200 LWB	3200 GALLONS	LONG WHEEL BASE SINGLE AXLE	650/65R30.5
PRO 2400 LWB TA	2400 GALLONS	LONG WHEEL BASE TANDEM AXLE	560/60R22.5
PRO 3200 LWB TA	3200 GALLONS	LONG WHEEL BASE TANDEM AXLE	560/60R22.5

KEY FEATURES

- Overshot discharge rotor for even and accurate spread pattern to 20m
- Right side centre mounted discharge rotor
- 1.4m wide discharge rotor for increased output
- Will spread both slurry and farmyard manure plus other waste products such as poultry manure & compost
- Vertically opening sealed door allows the full width of the rotor to be utilised
- Easy to maintain with simple heavy duty chain drive system
- Shearbolt protected auger paddles
- Shearbolt protection for auger, auger paddles & rotor PTO
- Auger reverse function
- Discharge rotor lowers hydraulically, along with a taller door, allowing access to remove large foreign objects



POWERSPREAD PRO

SWB 1800 - 2300 Manure Spreader

920mm Diameter Auger Operating At 13rpm

Right Hand Hydraulic Discharge Door

Break Back Auger Paddles

Heavy Duty Chain Drive With Reverse

Slurry Canopy

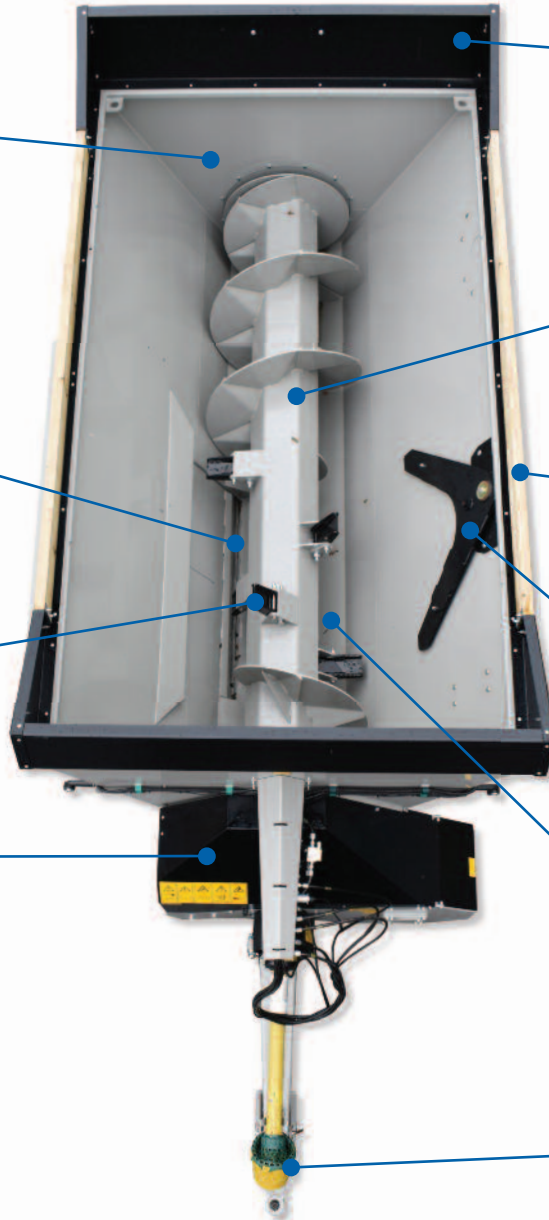
10mm Thick Continuous Auger Flight

Wooden Side Extensions (2300 & 3200)

Anti Bridging Arm to Aid Material Movement To The Door

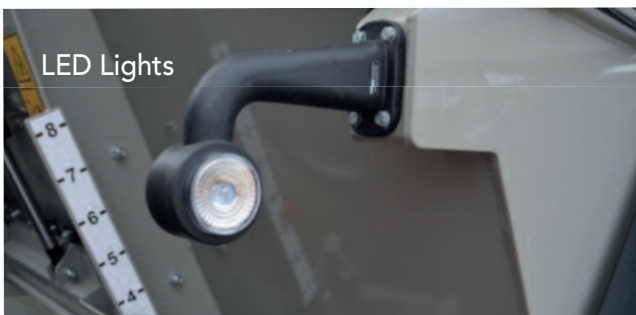
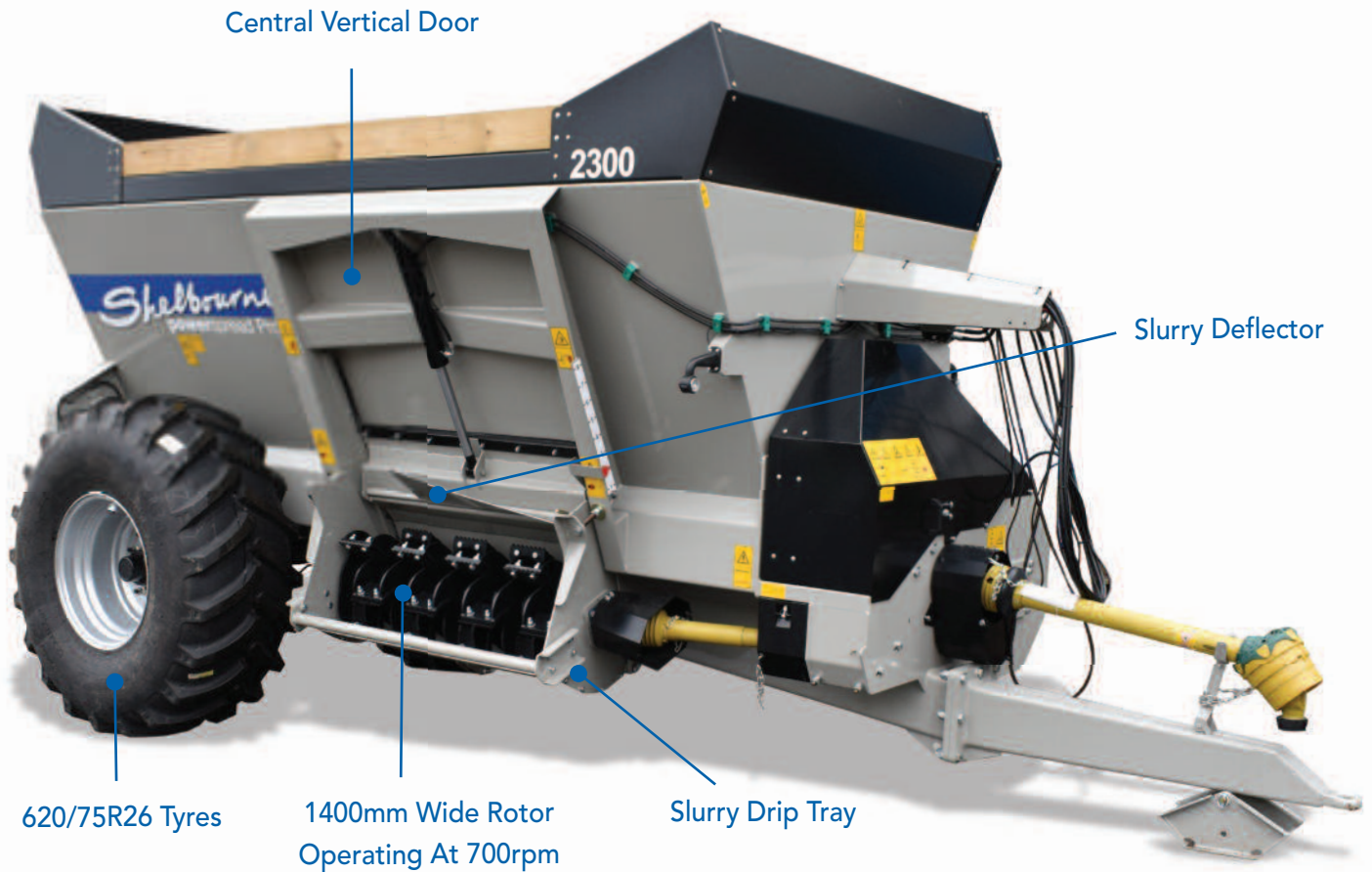
6mm Floor Sheet

Wide Angle PTO



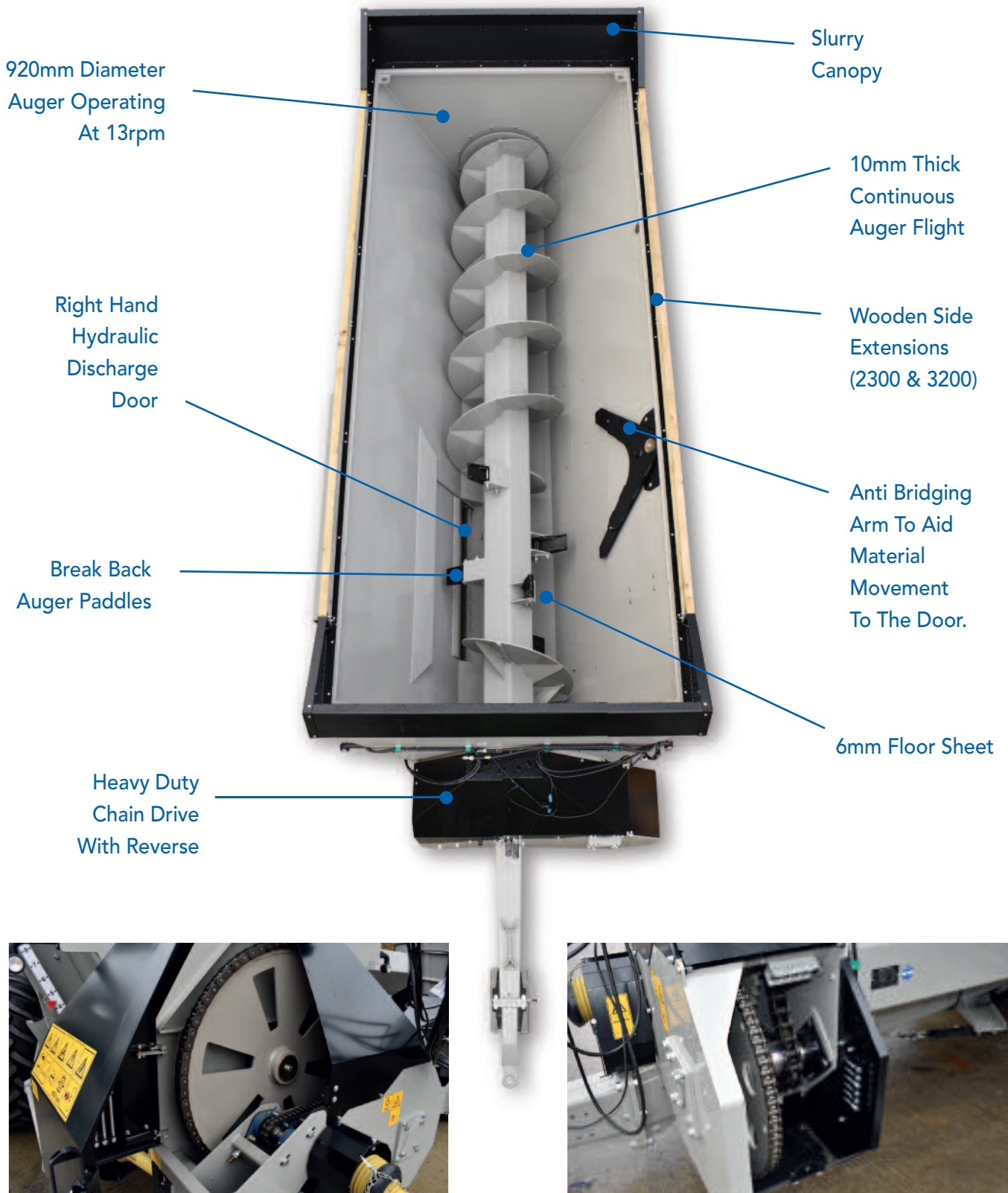
POWERSPREAD PRO

SWB 1800 - 2300 Manure Spreader



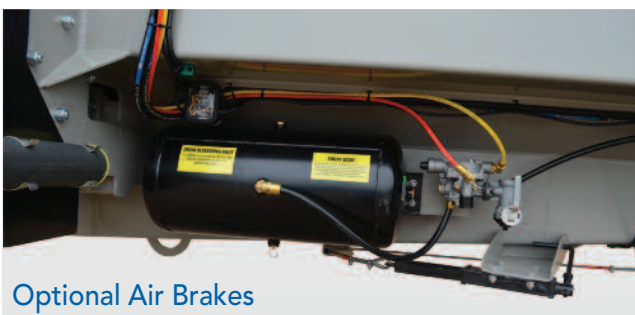
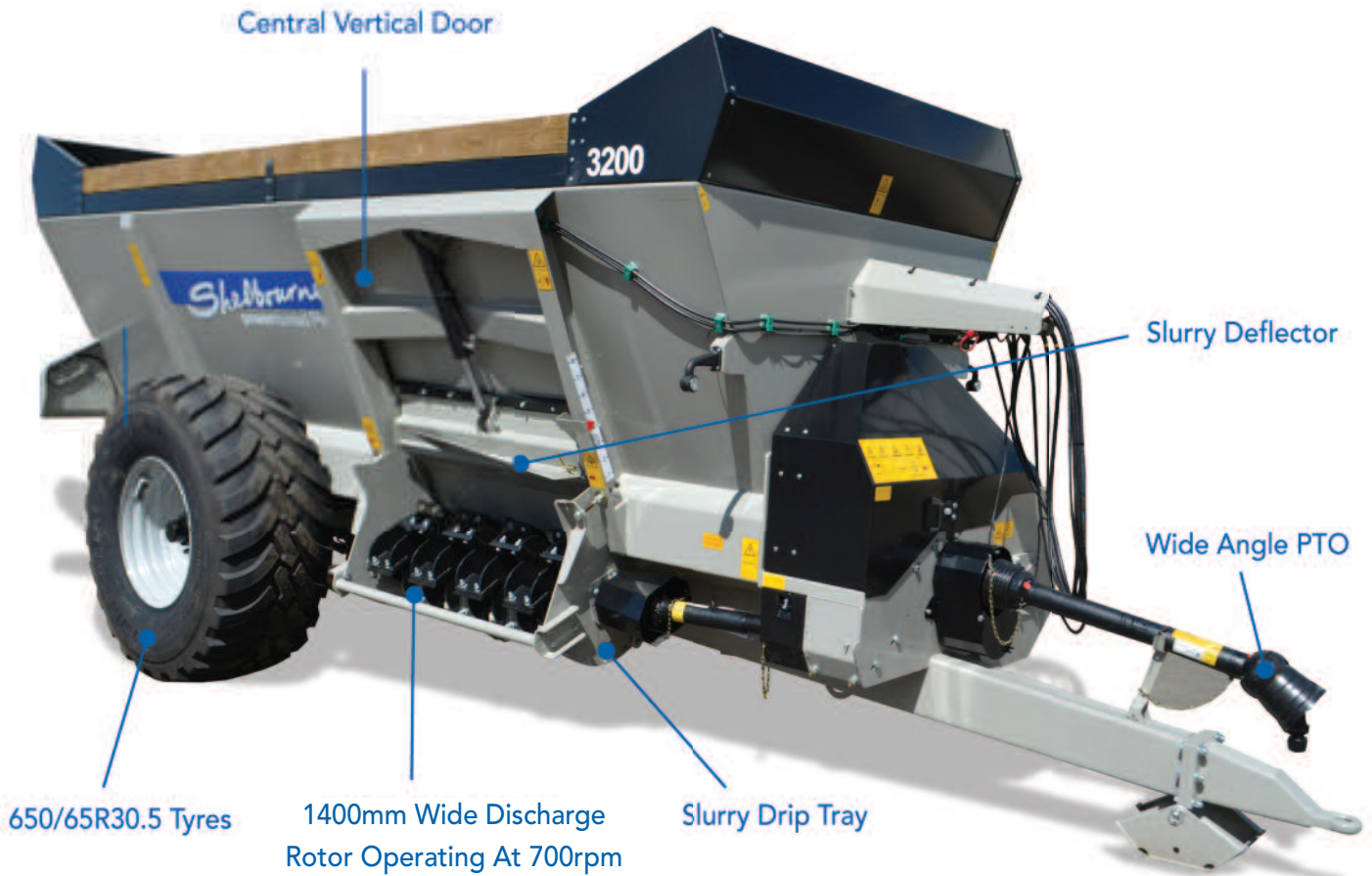
POWERSPREAD PRO

LWB 2400 - 3200 Manure Spreader



POWERSPREAD PRO

LWB 2400 - 3200 Manure Spreader



POWERSPREAD PRO

SWB 1800 - 2300 Manure Spreader

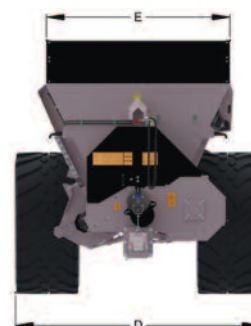
SWB

STANDARD FEATURES	1800	2300
CAPACITY / LEVEL	8000 l 1800 gal	10500 l 2300 gal
VOLUME / LEVEL	8m ³	10.5m ³
TYRE SIZE	620/75 R26	620/75 R26
PTO SPEED	540 rpm	540 rpm
RECOMMENDED TRACTOR SIZE	120 hp (UPWARDS)	120 hp (UPWARDS)
UNLADEN WEIGHT	4150 kg	4380 kg
GROSS WEIGHT	11350 kg	13830kg* 13280kg**
UNLADEN DRAWBAR WEIGHT	1104 kg	1166 kg
MAX AXLE WEIGHT	8663 kg	10586kg* 10157kg**
MAX DRAWBAR WEIGHT	2687 kg	3244kg* 3123kg**
SPREAD WIDTH	UP TO 18 m	UP TO 18 m
DOOR SIZE (WIDTH)	1320 mm	1320 mm
DOOR OPERATION	DOUBLE ACTING HYDRAULIC RAM	
MAX ROAD SPEED	20 mph	20 mph
REVERSE AUGER DRIVE FACILITY	STD	STD
HYD. DROP DOWN IMPELLER	STD	STD
WIDE ANGLE PTO	STD	STD
MANUAL ANTI-BRIDGING ARM	STD	STD
OPTIONS		
HYDRAULIC SECOND ROTOR	OPT	OPT
AUTO ANTI-BRIDGING KIT UPGRADE	OPT	OPT
REAR ANTI-BRIDGING ARM	OPT	OPT
650/65 R30.5 TYRES	OPT	OPT

THE ABOVE STATED WEIGHTS AND A 20MPH (32KM/H) SPEED LIMIT MUST NOT BE EXCEEDED IF THE MACHINE IS TO BE TAKEN ON PUBLIC ROADS

NOTE: ALL WEIGHTS & OTHER DATA ARE APPROXIMATE *FIELD USE **ROAD USE

	1800	2300
OVERALL LENGTH (A)	6091 mm	6091 mm
WIDTH OVER TYRES (D)	2700 mm	2700 mm
LOADING HEIGHT	2462 mm	2727 mm
OPENING LENGTH (C)	3213 mm	3658 mm
WIDTH AT TOP OF TUB (E)	2180 mm	2180 mm
OVERALL HEIGHT (B)	2632 mm	2975 mm
CENTRE OF WHEEL TO TOW HITCH	5035 mm	5035 mm



POWERSPREAD PRO

LWB 2400 - 3200 Manure Spreader

LWB

STANDARD FEATURES	SINGLE AXLE		TANDEM STEERING AXLE	
	2400	3200	2400	3200
CAPACITY / LEVEL	11000 l 2400 gal	14500 l 3200 gal	11000 l 2400 gal	14500 l 3200 gal
VOLUME / LEVEL	11m ³	14.5m ³	11m ³	14.5m ³
TYRE SIZE	650 /65 R30.5	650/65 R30.5	560/60 R22.5	560/60 R22.5
PTO SPEED	540 rpm	540 rpm	540 rpm	540 rpm
RECOMMENDED TRACTOR SIZE	120 hp (&UP)	150 hp (&UP)	120 hp (&UP)	150 hp (&UP)
UNLADEN WEIGHT	5050 kg	5310 kg	5770 kg	6030 kg
GROSS WEIGHT	15050 kg* 11850 kg**	18310 kg* 12110 kg**	18290 kg	18290 kg
UNLADEN DRAWBAR WEIGHT	1014 kg	1049 kg	1139 kg	1190 kg
MAX AXLE WEIGHT	9912 kg	15495 kg* 10137 kg**	15046 kg	15039 kg
MAX DRAWBAR WEIGHT	1938 kg	2815 kg* 1973 kg**	3244 kg	3251 kg
SPREAD WIDTH	UP TO 18 m	UP TO 18 m	UP TO 18 m	UP TO 18 m
DOOR SIZE (WIDTH)	1320 mm	1320 mm	1320 mm	1320 mm
DOOR OPERATION	DOUBLE ACTING HYDRAULIC RAM			
MAX ROAD SPEED	20 mph	20 mph	20 mph	20 mph
REVERSE AUGER DRIVE FACILITY	STD	STD	STD	STD
HYD. DROP DOWN IMPELLER	STD	STD	STD	STD
WIDE ANGLE PTO	STD	STD	STD	STD
MANUAL ANTI-BRIDGING ARM	STD	STD	STD	STD
HYDRAULIC BRAKES	STD	STD	STD	STD
LED LIGHTS	STD	STD	STD	STD
OPTIONS				
HYDRAULIC SECOND ROTOR	OPT	OPT	OPT	OPT
AUTO ANTI-BRIDGING KIT UPGRADE	OPT	OPT	OPT	OPT
REAR ANTI-BRIDGING ARM	OPT	OPT	OPT	OPT
AIR BRAKES FOR SINGLE AXLE LWB	OPT	OPT	OPT	OPT
COMMERCIAL TANDEM, SPRUNG STEERING AXLE, AIR BRAKES, 560/60 R22.5 TYRES			OPT	OPT
COMMERCIAL TANDEM, SPRUNG STEERING AXLE, AIR BRAKES, 600/55 R22.5 TYRES			OPT	OPT



THE ABOVE STATED WEIGHTS AND A 20MPH (32KM/H) SPEED LIMIT MUST NOT BE EXCEEDED IF THE MACHINE IS TO BE TAKEN ON PUBLIC ROADS

NOTE: ALL WEIGHTS & OTHER DATA ARE APPROXIMATE *FIELD USE **ROAD USE

SINGLE AXLE	2400	3200
OVERALL LENGTH (A)	7650 mm	7650 mm
WIDTH OVER TYRES (D)	2650 mm	2650 mm
LOADING HEIGHT	2498 mm	2775 mm
OPENING LENGTH (C)	4751 mm	5313 mm
WIDTH AT TOP OF TUB (E)	2180 mm	2180 mm
OVERALL HEIGHT (B)	2668 mm	3013 mm
CENTRE OF WHEEL TO TOW HITCH	5444 mm	5444 mm



TANDEM AXLE	2400	3200
OVERALL LENGTH (A)	7650 mm	7650 mm
WIDTH OVER TYRES (D)	2655 mm	2655 mm
LOADING HEIGHT	2577 mm	2853 mm
OPENING LENGTH (C)	4751 mm	5313 mm
WIDTH AT TOP OF TUB (E)	2180 mm	2180 mm
OVERALL HEIGHT (B)	2748 mm	3091 mm
CENTRE OF WHEEL TO TOW HITCH	5660 mm	5660 mm





GROUND CARE



HARVESTING



LIVESTOCK



SHELBOURNE REYNOLDS
ENGINEERING LTD.

SHEPHERDS GROVE, STANTON,
BURY ST EDMUNDS,
SUFFOLK, IP31 2AR

FIND US:



SHELBOURNE.COM